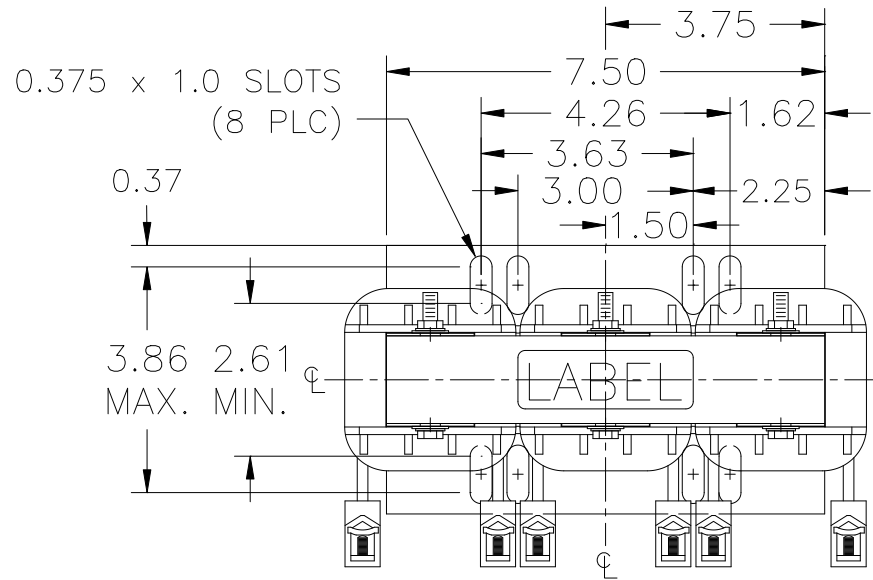


FILE: J:\CUSTDWG\CATRL\CD-05502

INDUCTANCE	WEIGHT
0.5 mH	26 Lbs

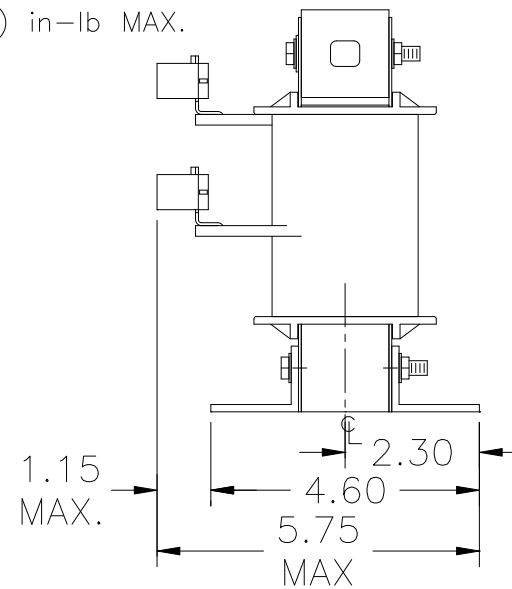
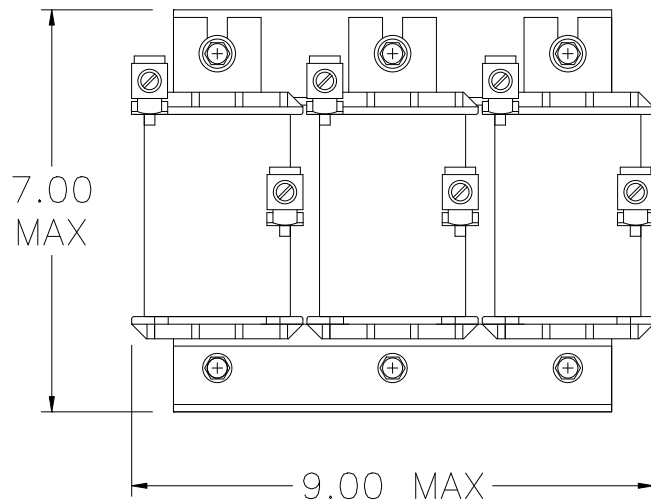
NO.	CHANGE DESCRIPTION	BY	DATE	C'K'D
-----	--------------------	----	------	-------



WIRE RANGE: 6-0 AWG

NOTE:  
CENTER LINE REPRESENTS  
CENTER OF REACTOR CORE

CAUTION-TERMINAL SCREW TIGHTENING  
TORQUE: 6-4 (45) in-lb MAX.  
2-0 (50) in-lb MAX.



UNLESS OTHERWISE SPECIFIED, DIMENSIONS ARE IN INCHES [mm] AND TOLERANCES ARE:

DECI.                      FRAC.

ANGLES                    DRILLED HOLES

PART NAME: 3-PHASE REACTOR

DESCRIPTION: OUTLINE DIMENSION

FINISH:

MTE CORPORATION  
MENOMONEE FALLS, WISCONSIN

RL-05502

REV.  
15

SCALE	NTS	DATE	04/27/94	C'K'D
REF.		DR. BY	RD	APP'D